

IPC542E-DU(G) 2MP WDR Starlight Network Box Camera



Key Features

Optics

- HD starlight surveillance
- Auto day/night functionality
- Up to 120 dB WDR(Wide Dynamic Range)
- 3D DNR (Digital Noise Reduction)

Compression

- Triple streams
- ROI (Region of Interest)
- 9:16 corridor format

Network

- Optional network interfaces with Ethernet RJ45 and optical SFP (for -DUG)
- ONVIF Conformance

Structure

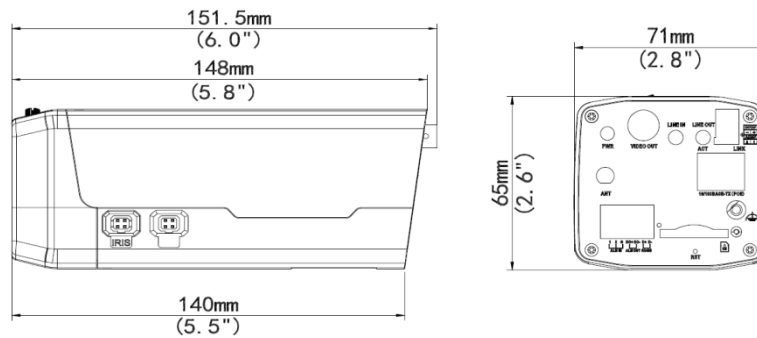
- AC 24V /DC 12 V/PoE with uninterruptible power supply
- Wide temperature range: -20°C to 60°C (-4°F to 140°F)
- Wide voltage range of $\pm 25\%$
- 6 KV surge protection designed for network interface

Specifications

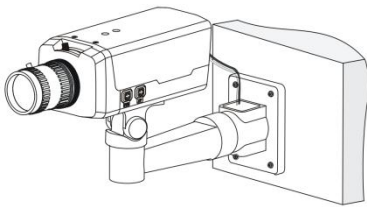
	IPC542E-DU	IPC542E-DUG
Camera		
Sensor	1/1.9" CMOS, progressive scan	
Day & Night	Automatically removable IR-cut filter(ICR)	
Shutter	Auto/Manual, 1/6~1/8000 s	
Min. Illumination	Color: 0.002 Lux (F1.2, 50IRE) Black & White: 0.0002 Lux (F1.2, 50IRE)	
S/N	>52dB	
WDR	120dB	
Lens Mount	C/CS	
DC-Iris	DC 4V (4-Pin)	
Motor Zoom/focus	DC 5V (4-Pin)	
Video		
Max. Resolution	1920 × 1080	
Video Compression	H.264,MJPEG	
Frame Rate	1080P (1920×1080): Max. 30 fps; 720P (1280×720): Max. 30 fps; D1 (720×576): Max. 25 fps	
9:16 Corridor Mode	Support	
ROI	Support	
Video Streaming	Triple	
OSD	Up to 8 OSDs	
Privacy Mask	Up to 4 areas	
Audio		
Audio Compression	G.711	
Two-way Talking	Support	
Storage		
Edge Storage	SD, up to 64 GB	
Network		
Protocols	L2TP,IPv4,IGMP,ICMP,ARP,TCP,UDP,DHCP,PPPoE,RTP,RTSP,Qos,NTP,FTP,HTTP,SNMP,SIP	
Compatible Integration	ONVIF, IMOS,API	
Interface		
Audio I/O	3.5 mm audio interface	
	Input: impedance 35 kΩ; amplitude 2 V [p-p]	
	Output: impedance 600 Ω; amplitude 2 V [p-p]	
Alarm I/O	2 / 1	
Serial Port	1 RS485 (support Pelco-D/P)	
Network	10M/100M Base-TX Ethernet	100M Base-FX SFP+10M/100M Base-TX Ethernet
Video Output	1 BNC, impedance 75 Ω; amplitude 1 V [p-p]	
General		
Power Supply	24 V AC, 12 V DC, or PoE (IEEE802.3 af)	
	Power consumption: 4.8 W (with ICR switch: extra 2W)	
Dimensions (L x W x H)	151.5 x 71 x 65 mm (6.0" x 2.8" x 2.6") (excluding the lens)	
Weight	0.48 kg (1.1 lb)	

Working Environment -20°C ~ 60°C (-4°F ~ 140°F), Humidity ≤ 90% RH(non-condensing)

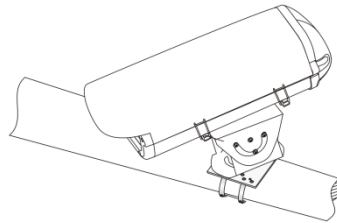
Dimensions



Installation



Bare mount



Housing mount

Accessories

Installation mode	Accessories	Description
Bare mount	AE-TR-UM06 or TR-UM06-A	Indoor wall, pendant, or desktop installation
Housing mount	Indoor housing: AE-HS-108 Outdoor housing: AE-HS-215S, AE-HS-215SHB	Outdoor installation
Corridor Format mount	L-shaped mount:AE-TR-SM06	/

Zhejiang Uniview Technologies Co., Ltd.

Building No.10, Wanlun Science Park, Jiangling Road 88, Binjiang District, Hangzhou, Zhejiang, China (310051)

Email: overseasbusiness@uniview.com; globalsupport@uniview.com

<http://www.uniview.com>

©2015 Zhejiang Uniview Technologies Co., Ltd. All rights reserved.

*Product specifications and availability are subject to change without notice.