

# 2MP Network IR Mini Bullet Camera

## IPC2122SR3 Series



## Key Features

### Optics

- 낮/밤 기능
- Smart IR , up to 30 m (98 ft) IR distance
- 높은 광 투과율을 갖는 광학 유리 창문
- IR 반사 방지 창 적외선 투과율을 증가시킵니다
- 3D DNR (데이터 노이즈 감소)

### Compression

- H.264/MJPEG
- Triple streams
- 9:16 복도모드

### Network

- ONVIF

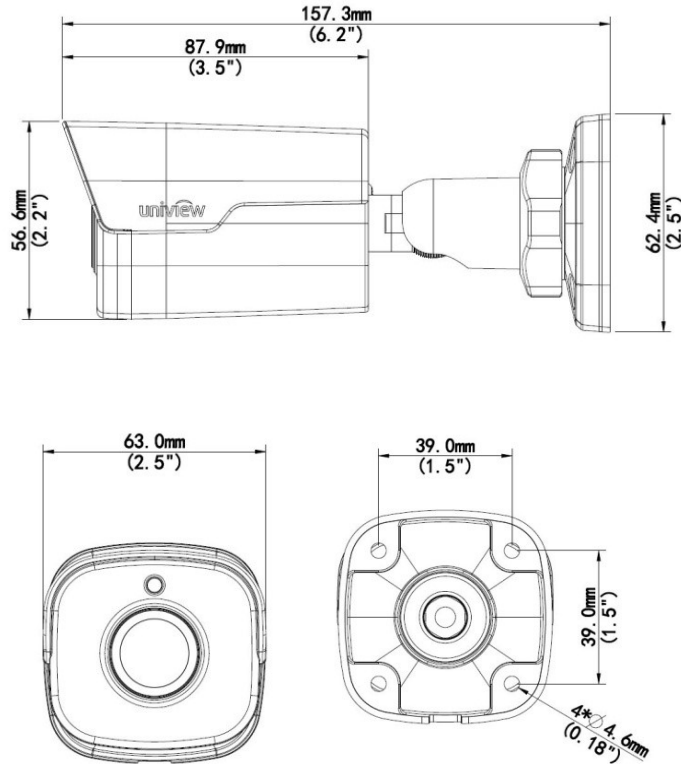
### Structure

- 넓은 온도 범위: -35°C to 60°C (-31°F to 140°F)
- ±25%의 넓은 전압 범위
- IP66

## Specifications

	IPC2122SR3-PF36	IPC2122SR3-PF60	IPC2122SR3-PF120
<b>Camera</b>			
센서	1/2.8", 2.0 megapixel, progressive scan, CMOS		
렌즈(화각)	3.6mm@F1.8 Angle of view(H): 85°	6.0mm@F1.8 Angle of view(H): 53°	12.0mm@F1.8 Angle of view(H): 27°
셔터	Auto/Manual, 1/6~1/8000 s		
저조도	Colour: 0.02 Lux (F1.8, AGC ON) 0 Lux with IR on		
Day/Night	IR-cut filter with auto switch (ICR)		
IR 거리	Up to 30m (98 ft) IR range		
S/N	>52dB		
WDR	Digital		
노이즈 감소	2D/3D		
<b>Video</b>			
최대 해상도	1920×1080		
비디오 압축	H.264/MJPEG		
Frame Rate	1080P (1920*1080): Max. 30 fps; 720P (1280*720): Max. 30 fps; D1 (720*576): Max. 25 fps		
비디오 스트리밍	Triple		
9:16 복도모드	Supported		
ROI	Supported		
OSD	Up to 8 OSDs		
모션 감지	Up to 2 areas		
사생활 보호영역설정	Up to 4 areas		
<b>Network</b>			
프로토콜	L2TP, IPv4, IGMP, ICMP, ARP, TCP, UDP, DHCP, PPPoE, RTP, RTSP, DNS, DDNS, NTP, FTP, UPnP, HTTP, HTTPS, SMTP, SNMP, SIP, QoS		
호환성	ONVIF, API		
<b>Interface</b>			
네트워크	1 RJ45 10M/100M Base-TX Ethernet		
<b>General</b>			
전원	12 V DC, or PoE (IEEE802.3 af)		
	Power consumption: Max 6.4 W		
치수(L × W × H)	157.3 × 62.4 × 63 mm (6.2" × 2.5" × 2.5")		
무게	0.45 kg (0.99 lb)		
작동 온도	-35°C ~ +60°C (-31°F ~ 140°F), Humidity ≤ 95% RH(non-condensing)		
방수, 방진등급	IP66		
서지보호회로	4KV		

## Dimensions



## Accessories

Installation mode	Accessories	Description
Wall mount	\	Mounting pedestal is included in the Product package
Ceiling mount	\	Mounting pedestal is included in the Product package

### Zhejiang Uniview Technologies Co., Ltd.

Building No.10, Wanlun Science Park, Jiangling Road 88, Binjiang District, Hangzhou, Zhejiang, China (310051)

Email: [overseasbusiness@uniview.com](mailto:overseasbusiness@uniview.com); [globalsupport@uniview.com](mailto:globalsupport@uniview.com)

<http://www.uniview.com>

©2015 Zhejiang Uniview Technologies Co., Ltd. All rights reserved.

\*Product specifications and availability are subject to change without notice.