

2MP Starlight Network IR Mini Bullet Camera

IPC2122SR3-UPF36 (60)



Key Features

Optics

- Starlight illumination
- Day/night functionality
- Smart IR , up to 30 m (98 ft) IR distance
- Optical glass window with higher light transmittance
- IR anti-reflection window to increase the infrared transmittance
- 3D DNR (Digital Noise Reduction)

Compression

- H.265, H.264, MJPEG
- Triple streams
- 9:16 corridor format

Network

- ONVIF Conformance

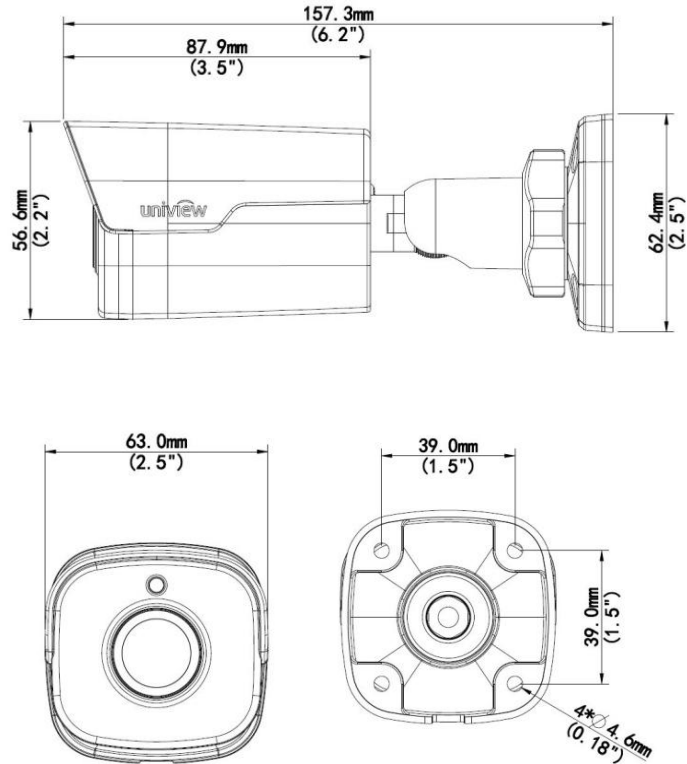
Structure

- Wide temperature range: -35°C to 60°C (-31°F to 140°F)
- Wide voltage range of ±25%
- IP66

Specifications

| | IPC2122SR3-UPF36 | IPC2122SR3-UPF60 |
|------------------------|---|-------------------------------------|
| Camera | | |
| Sensor | 1/2.8", 2.0 megapixel, progressive scan, CMOS | |
| Lens | 3.6mm@F1.8 Angle of view(H): 83° | 6.0mm@F1.8 Angle of view(H): 52° |
| Shutter | Auto/Manual, 1/6~1/8000 s | |
| Min. Illumination | Colour: 0.002 Lux (F1.8, AGC ON) 0 Lux with IR on | |
| Day/Night | IR-cut filter with auto switch (ICR) | |
| IR Range | Up to 30m (98 ft) IR range | |
| S/N | >52dB | |
| WDR | Digital | |
| Noise Reduction | 2D/3D | |
| Video | | |
| Max. Resolution | 1920×1080 | |
| Video Compression | H.265, H.264, MJPEG | |
| Frame Rate | 1080P (1920*1080): Max. 30 fps; 720P (1280*720): Max. 30 fps; D1 (720*576): Max. 25 fps | |
| Video Streaming | Triple | |
| 9:16 Corridor Mode | Supported | |
| ROI | Supported | |
| OSD | Up to 8 OSDs | |
| Motion Detection | Up to 2 areas | |
| Privacy Mask | Up to 4 areas | |
| Network | | |
| Protocols | L2TP, IPv4, IGMP, ICMP, ARP, TCP, UDP, DHCP, PPPoE, RTP, RTSP, DNS, DDNS, NTP, FTP, UPnP, HTTP, HTTPS, SMTP, SNMP, SIP, QoS | |
| Compatible Integration | ONVIF, API | |
| Interface | | |
| Network | 1 RJ45 10M/100M Base-TX Ethernet | |
| General | | |
| Power | 12 V DC, or PoE (IEEE802.3 af) | |
| | Power consumption: Max 6.4 W | |
| Dimensions (L × W × H) | 157.3 × 62.4 × 63 mm (6.2" × 2.5" × 2.5") | |
| Weight | 0.45 kg (0.99 lb) | |
| Working Environment | -35°C ~ +60°C (-31°F ~ 140°F), Humidity ≤ 95% RH(non-condensing) | |
| Ingress Protection | IP66 | |

Dimensions



Accessories

| Installation mode | Accessories | Description |
|-------------------|-------------|--|
| Wall mount | \ | Mounting pedestal is included in the Product package |
| Ceiling mount | \ | Mounting pedestal is included in the Product package |

Zhejiang Uniview Technologies Co., Ltd.

Building No.10, Wanlun Science Park, Jiangling Road 88, Binjiang District, Hangzhou, Zhejiang, China (310051)

Email: overseasbusiness@uniview.com; globalsupport@uniview.com

<http://www.uniview.com>

©2016 Zhejiang Uniview Technologies Co., Ltd. All rights reserved.

*Product specifications and availability are subject to change without notice.