

2MP Starlight Network IR Mini Bullet Camera

IPC2122SR3-UPF36 (60)



Key Features

Optics

- 스타라이트 조명
- 스마트 IR 최대 30 미터 (98 피트)의 IR 거리
- 최대 120 dB 의 빛 WDR (광역 역광)
- IR 반사 방지 창 적외선 투과율을 증가시킵니다
- 3D DNR (디지털 노이즈 감소)

Compression

- H.265, H.264, MJPEG
- Embedded smart algorithm
- Triple streams
- 9:16 복도모드

Network

- ONVIF

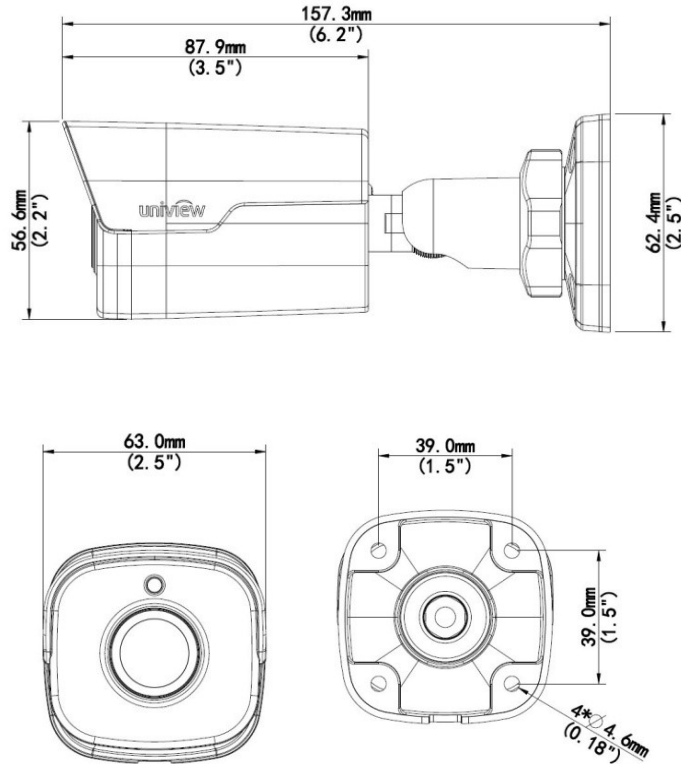
Structure

- 넓은 온도 범위 : -35°C to 60°C (-31°F to 140°F)
- ±25% 넓은 전압 범위
- IP66

Specifications

	IPC2122SR3-UPF36	IPC2122SR3-UPF60
Camera		
센서	1/2.8", 2.0 megapixel, progressive scan, CMOS	
렌즈(화각)	3.6mm@F1.8 Angle of view(H): 83°	6.0mm@F1.8 Angle of view(H): 52°
셔터	Auto/Manual, 1/6~1/8000 s	
저조도	Colour: 0.002 Lux (F1.8, AGC ON) 0 Lux with IR on	
Day/Night	IR-cut filter with auto switch (ICR)	
IR 거리	Up to 30m (98 ft) IR range	
S/N	>52dB	
WDR	Digital	
노이즈 감소	2D/3D	
Video		
최대 해상도	1920×1080	
비디오 압축	H.265, H.264, MJPEG	
Frame Rate	1080P (1920*1080): Max. 30 fps; 720P (1280*720): Max. 30 fps; D1 (720*576): Max. 25 fps	
비디오 스트리밍	Triple	
9:16 복도모드	지원	
ROI	지원	
OSD	Up to 8 OSDs	
모션 감지	Up to 2 areas	
사생활 보호영역설정	Up to 4 areas	
Smart		
행동 감지	Intrusion, crossing line, motion detection	
예외 검출	Audio detection	
지능형 식별	Face detection	
통계 분석	People counting	
Network		
프로토콜	L2TP, IPv4, IGMP, ICMP, ARP, TCP, UDP, DHCP, PPPoE, RTP, RTSP, RTCP, DNS, DDNS, NTP, FTP, UPnP, HTTP, HTTPS, SMTP, SIP, 802.1x	
호환성	ONVIF, API	
Interface		
네트워크	1 RJ45 10M/100M Base-TX Ethernet	
General		
전원	12 V DC, or PoE (IEEE802.3 af)	
	Power consumption: Max 6.4 W	
치수(L × W × H)	157.3 × 62.4 × 63 mm (6.2" × 2.5" × 2.5")	
무게	0.45 kg (0.99 lb)	
작동온도	-35°C ~ +60°C (-31°F ~ 140°F), Humidity ≤ 95% RH(non-condensing)	
방수,방진 등급	IP66	
서지보호회로	4KV	

Dimensions



Accessories

Installation mode	Accessories	Description
Wall mount	\	Mounting pedestal is included in the Product package
Ceiling mount	\	Mounting pedestal is included in the Product package

Zhejiang Uniview Technologies Co., Ltd.

Building No.10, Wanlun Science Park, Jiangling Road 88, Binjiang District, Hangzhou, Zhejiang, China (310051)

Email: overseasbusiness@uniview.com; globalsupport@uniview.com

<http://www.uniview.com>

©2016 Zhejiang Uniview Technologies Co., Ltd. All rights reserved.

*Product specifications and availability are subject to change without notice.