

# 4MP WDR Network IR Mini Bullet Camera

IPC2124SR3-DPF36 (60)-16G



## Key Features

### Optics

- 낮/밤 기능
- 스마트 IR 최대 30 미터 (98 피트)의 IR 거리
- 최대 120 dB 의 빛 WDR (광역 역광)
- IR 반사 방지 창 적외선 투과율을 증가시킵니다
- 3D DNR (디지털 노이즈 감소)

### Compression

- H.265, H.264, MJPEG
- Embedded smart algorithm
- Triple streams
- 9:16 복도모드

### Network

- ONVIF

### Structure

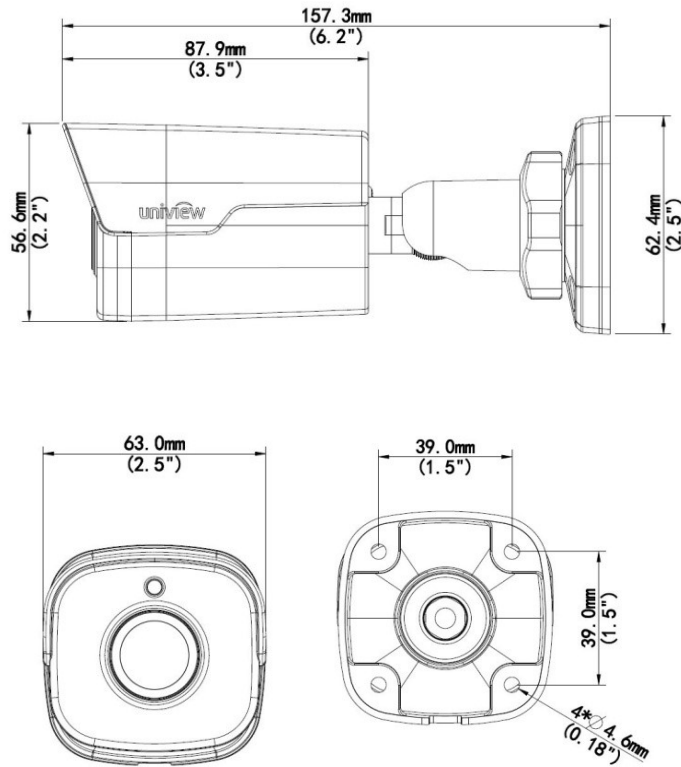
- 넓은 온도 범위 : -35°C to 60°C (-31°F to 140°F)
- ±25% 넓은 전압 범위
- IP66

## Specifications

	IPC2124SR3-DPF36-16G	IPC2124SR3-DPF60-16G
<b>Camera</b>		
센서	1/3", 4.0 megapixel, progressive scan, CMOS	
렌즈(화각)	3.6mm@F1.8 Angle of view(H): 87°	6.0mm@F1.8 Angle of view(H): 62°
셔터	Auto/Manual, 1/6~1/8000 s	
저조도	Colour: 0.02 Lux (F1.8, AGC ON) 0 Lux with IR on	
Day/Night	IR-cut filter with auto switch (ICR)	
IR 거리	Up to 30m (98 ft) IR range	
S/N	>55dB	
WDR	120dB	
노이즈 감소	2D/3D	
<b>Smart</b>		
행동 감지	Intrusion, crossing line, motion detection	
예외 검출	Audio detection	
지능형 식별	Face detection	
통계 분석	People counting	
<b>Video</b>		
최대 해상도	2592×1520	
비디오 압축	H.265, H.264, MJPEG	
Frame Rate	4MP (2592×1520): Max. 20 fps; 4MP (2560×1440): Max. 25 fps 3MP (2048×1520): Max. 30 fps; 1080P (1920×1080): Max. 30 fps	
비디오 스트리밍	Triple	
9:16 복도모드	Supported	
ROI	Supported	
OSD	Up to 8 OSDs	
모션 감지	Up to 2 areas	
사생활 보호영역설정	Up to 4 areas	
<b>Storage</b>		
Edge Storage	16 GB eMMC	
<b>Network</b>		
프로토콜	L2TP, IPv4, IGMP, ICMP, ARP, TCP, UDP, DHCP, PPPoE, RTP, RTSP, RTCP, DNS, DDNS, NTP, FTP, UPnP, HTTP, HTTPS, SMTP, SIP, 802.1x	
호환성	ONVIF, API	
<b>Interface</b>		
네트워크	1 RJ45 10M/100M Base-TX Ethernet	
<b>General</b>		
전원	12 V DC, or PoE (IEEE802.3 af) Power consumption: Max 6.4 W	
치수(L × W × H)	157.3 × 62.4 × 63 mm (6.2" × 2.5" × 2.5")	
무게	0.45 kg (0.99 lb)	

작동 온도	-35°C ~ +60°C (-31°F ~ 140°F), Humidity ≤ 95% RH(non-condensing)
방수,방진 등급	IP66
서지보호회로	4KV

## Dimensions



## Accessories

Installation mode	Accessories	Description
Wall mount	Mounting pedestal is included in the Product package	\
Ceiling mount	Mounting pedestal is included in the Product package	\

### Zhejiang Uniview Technologies Co., Ltd.

Building No.10, Wanlun Science Park, Jiangling Road 88, Binjiang District, Hangzhou, Zhejiang, China (310051)

Email: [overseasbusiness@uniview.com](mailto:overseasbusiness@uniview.com); [globalsupport@uniview.com](mailto:globalsupport@uniview.com)

<http://www.uniview.com>

©2016 Zhejiang Uniview Technologies Co., Ltd. All rights reserved.

\*Product specifications and availability are subject to change without notice.