

# 2MP Network IR Bullet Camera

IPC222E-IR-F60 (120)-IN



## Key Features

### Optics

- Day/night functionality
- Smart IR, up to 30m (98 ft) IR distance
- Optical glass window with higher light transmittance
- IR anti-reflection window to increase the infrared transmittance
- 3D DNR (Digital Noise Reduction)

### Compression

- Triple streams
- ROI (Region of Interest)
- 9:16 corridor mode
- Customized OSD

### Network

- ONVIF Conformance

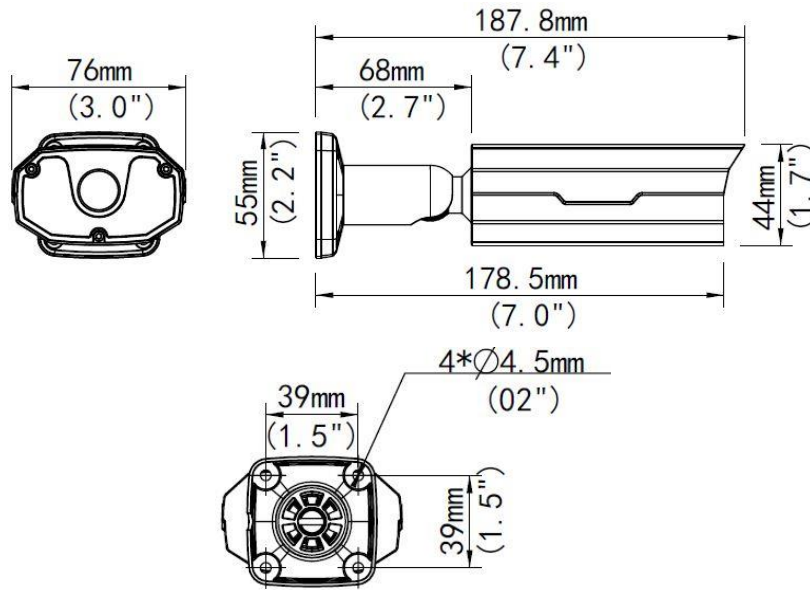
### Structure

- Wide temperature range: -35°C to 60°C (-31°F to 140°F)
- Wide voltage range of  $\pm 25\%$
- IP66

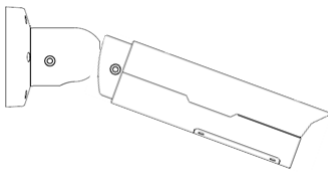
## Specifications

|                        | IPC222E-IR-F60-IN  | IPC222E-IR-F120-IN |
|------------------------|--|--------------------|
| <b>Camera</b>          |  |                    |
| Sensor                 | 1/2.8", 2 megapixel, progressive scan CMOS   |                    |
| Shutter                | Auto/Manual, 1/6~1/8000s   |                    |
| Lens                   | 6mm  | 12 mm              |
| Angle of View (H)      | 53.2°  | 28°                |
| Day/Night              | IR-cut filter with auto switch (ICR)   |                    |
| Min. Illumination      | Colour: 0.06 Lux (F1.6, AGC ON)<br>0 Lux with IR   |                    |
| WDR                    | Digital  |                    |
| S/N                    | >52dB  |                    |
| Image Rotation         | Supported  |                    |
| <b>Video</b>           |  |                    |
| Maximum Resolution     | 1920 × 1080  |                    |
| Video Compression      | H.264, MJPEG   |                    |
| Frame Rate             | 1080P (1920*1080): Max. 30 fps; 720P (1280*720): Max. 30 fps; D1 (720*576): Max. 25 fps  |                    |
| 9:16 Corridor Mode     | Supported  |                    |
| ROI                    | Supported  |                    |
| Video Streaming        | Triple   |                    |
| OSD                    | Up to 8 OSDs   |                    |
| Privacy Mask           | Up to 4 areas  |                    |
| <b>Audio</b>           |  |                    |
| Audio Compression      | G.711  |                    |
| Two-way audio          | Supported  |                    |
| <b>Network</b>         |  |                    |
| Protocols              | L2TP, IPv4, IGMP, ICMP, ARP, TCP, UDP, DHCP, PPPoE, RTP, RTSP, RTCP, DNS, DDNS, NTP, FTP, UPnP, HTTP, HTTPS, SMTP, SNMP, SIP, 802.1x |                    |
| Compatible Integration | ONVIF, API   |                    |
| <b>Interface</b>       |  |                    |
| Audio I/O              | Audio cable  |                    |
|                        | Input: impedance 35 kΩ; amplitude 2 V [p-p]  |                    |
|                        | Output: impedance 600 Ω; amplitude 2 V [p-p]   |                    |
| Alarm I/O              | 1/ 1   |                    |
| Network                | 10M/100M Base-TX Ethernet  |                    |
| <b>General</b>         |  |                    |
| Power                  | 12 V DC, or PoE (IEEE802.3af)  |                    |
|                        | Power consumption: 3.5 W (7.5W with IR on)   |                    |
| Dimensions (L × W × H) | 187.8 × 76 × 44 mm (7.4" × 3.0" × 1.7")  |                    |
| Weight                 | 0.58 kg (1.3 lb)   |                    |
| Working Environment    | -35°C ~ +60°C (-31°F ~ 140°F), Humidity ≤ 95% RH(non-condensing)   |                    |
| Ingress Protection     | IP66   |                    |

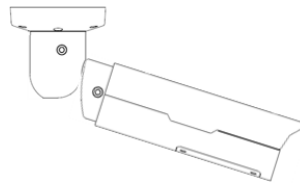
## Dimensions



## Installation



Wall mount



Ceiling mount

## Accessories

| Installation mode | Accessories  | Description  |
|-------------------|--------------|--|
| Wall mount        | \            | Mounting pedestal is included in the Product package |
| Ceiling mount     | \            | Mounting pedestal is included in the Product package |
| Rail mount        | TR-UP06-A-IN | For outdoor rail installation                        |
| Pole mount        | TR-UP06-A-IN | For outdoor pole installation                        |

### Zhejiang Uniview Technologies Co., Ltd.

South Tower, Building 10, Wanlun Science Park, 88 Jiangling Road, Hangzhou, P.R.China 310051

Email: [overseasbusiness@uniview.com](mailto:overseasbusiness@uniview.com); [globalsupport@uniview.com](mailto:globalsupport@uniview.com)

<http://www.uniview.com>

©2015 Zhejiang Uniview Technologies Co., Ltd. All rights reserved.

\*Product specifications and availability are subject to change without notice.