

# 4MP VF Network IR Bullet Camera

IPC2324EBR-DPZ28



## Key Features

### Optics

- Day/night functionality
- SmartIR, up to 30m (98 ft) IR distance
- Up to 120 dB OpticalWDR(Wide Dynamic Range)
- 3D DNR(Digital Noise Reduction)

### Compression

- H.265, H.264, MJPEG
- Embedded smart algorithm
- Triple streams
- ROI (Region of Interest)
- 9:16 corridor mode
- Customized OSD

### Network

- ONVIF Conformance

### Structure

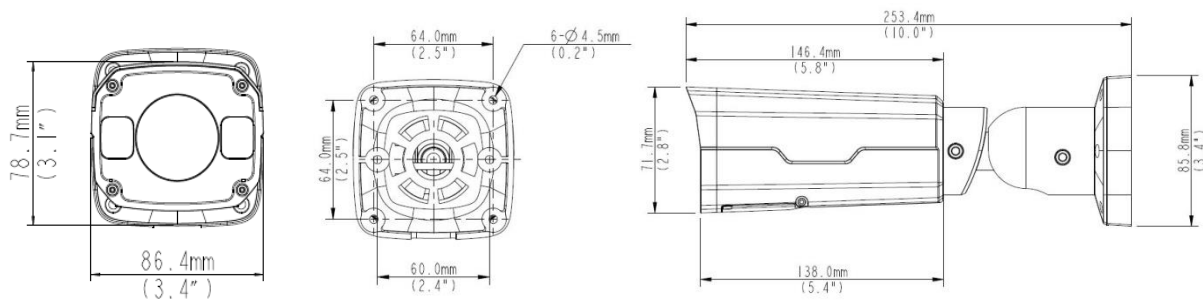
- Wide temperature range: -35°C to 60°C (-31°F to 140°F)
- Wide voltage range of  $\pm 25\%$
- IP67

## Specifications

	IPC2324EBR-DPZ28
<b>Camera</b>	
Sensor	1/3", 4megapixel, progressive scan CMOS
Lens	2.7~12mm @F1.4
Angle of View(H)	93°~27°
Zoom/Focus	Motor drive
Shutter	Auto/Manual, 1/6~1/100000s
Min. Illumination	Colour: 0.02 Lux (F1.4, AGC ON) 0 Lux with IR on
IR Range	Up to 30m (98 ft) IR range
Day/Night	IR-cut filter with auto switch (ICR)
S/N	>55dB
WDR	Optical WDR(up to 120 dB)
Image	AGC, AWB, BLC, 2D/3D DNR
<b>Video</b>	
Max. Resolution	2592 × 1520
Video Compression	H.265, H.264,MJPEG
Frame Rate	4MP (2592×1520): Max.20 fps; 4MP (2560×1440): Max.25 fps 3MP(2048×1520): Max. 30 fps; 1080P (1920×1080): Max. 30fps
Video Streaming	Triple
9:16 Corridor Mode	Supported
ROI	Supported
HLC	Supported
Evaluative Metering	Supported
OSD	Up to 8 OSDs
Privacy Mask	Up to 8 areas
<b>Smart</b>	
Behavior Detection	Intrusion, crossing line, motion detection
Exception Detection	Audio detection
Intelligent Identification	Face detection, Defocus, Scene Change
Statistical Analysis	People counting
<b>Audio</b>	
Audio Compression	G.711
Two-way audio	Supported
<b>Storage</b>	
Edge Storage	Micro SD, up to 128 GB
<b>Network</b>	
Protocols	L2TP, IPv4, IGMP, ICMP, ARP, TCP, UDP, DHCP, PPPoE, RTP, RTSP, RTCP, DNS, DDNS, NTP, FTP, UPnP, HTTP, HTTPS, SMTP, SIP, 802.1x
Compatible Integration	ONVIF,API
<b>Interface</b>	
Audio I/O	Audio cable

	Input: impedance 35 kΩ; amplitude 2 V [p-p]
	Output: impedance 600 Ω; amplitude 2 V [p-p]
Alarm I/O	1/ 1
Network	10M/100M Base-TX Ethernet
<b>General</b>	
Power	12 V DC, or PoE (IEEE802.3 af)
	Power consumption: Max 9W
Dimensions (L × W × H)	253.4 × 86 × 71.7 mm (9.98" × 3.4" × 2.8")
Material	Cast aluminum
Weight	0.93 kg (2.05 lb)
Working Environment	-35°C ~ +60°C (-31°F ~ 140°F), Humidity ≤ 95% RH(non-condensing)
Ingress Protection	IP67

## Dimensions



## Accessories

Installation mode	Accessories	Description
Wall mount	\	Mounting pedestal is included in the Product package
Ceiling mount	\	Mounting pedestal is included in the Product package
Rail mount	TR-UP06-A-IN	For outdoor rail installation
Pole mount	TR-UP06-A-IN	For outdoor pole installation

### Zhejiang Uniview Technologies Co., Ltd.

South Tower, Building 10, Wanlun Science Park, 88 Jiangling Road, Hangzhou, P.R.China 310051

Email: [overseasbusiness@uniview.com](mailto:overseasbusiness@uniview.com); [globalsupport@uniview.com](mailto:globalsupport@uniview.com)

<http://www.uniview.com>

©2015-2017 Zhejiang Uniview Technologies Co., Ltd. All rights reserved.

\*Product specifications and availability are subject to change without notice.