

# 2MP WDR Vandal-resistant Network IR Fixed Dome Camera

IPC322ER3-DVPF28 (36) (60)



## Key Features

### Optics

- Day/night functionality
- Smart IR, up to 30 m (98 ft) IR distance
- Up to 120 dB WDR (Wide Dynamic Range)
- 3D DNR (Digital Noise Reduction)

### Compression

- Triple streams
- ROI (Region of Interest)
- Customized OSD

### Network

- ONVIF Conformance

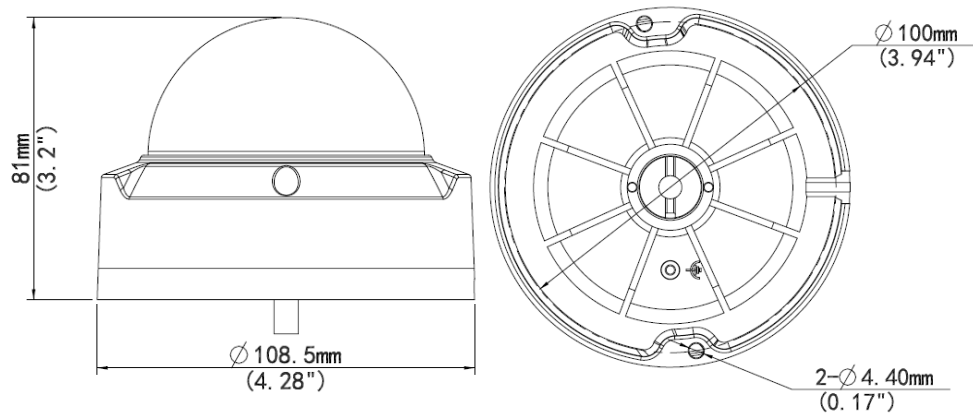
### Structure

- Wide temperature range: -35°C to 60°C (-31°F to 140°F)
- Wide input voltage range of  $\pm 25\%$
- IK10 vandal resistant
- IP66

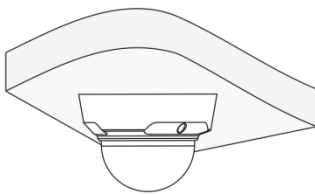
## Specifications

	IPC322ER3-DVVF28	IPC322ER3-DVVF36	IPC322ER3-DVVF60
<b>Camera</b>			
Sensor	1/2.7", 2 megapixel, progressive scan CMOS		
Lens	2.8 mm@F2.0	3.6 mm@F2.0	6.0 mm@F2.0
Angle of View (H)	109.9°	84°	54.9°
Shutter	Auto/Manual, 1/6~1/8000 s		
Min. Illumination	Colour: 0.02 Lux (F2.0, AGC ON) 0 Lux with IR		
Day/Night	IR-cut filter with auto switch (ICR)		
S/N	>52 dB		
WDR	Optical WDR(up to 120dB)		
<b>Video</b>			
Max. Resolution	1920 × 1080		
Video Compression	H.264, MJPEG		
Frame Rate	1080P (1920*1080): MAX. 30 fps; 720P (1280*720): MAX. 30 fps		
Video Streaming	Triple		
9:16 Corridor Mode	Supported		
ROI	Supported		
OSD	Up to 8 OSDs		
Privacy Mask	Up to 8 areas		
<b>Audio</b>			
Audio Compression	G.711		
Two-way audio	Supported		
<b>Storage</b>			
Edge Storage	Micro SD, up to 128 GB		
<b>Network</b>			
Protocols	L2TP, IPv4, IGMP, ICMP, ARP, TCP, UDP, DHCP, PPPoE, RTP, RTSP, NTP, FTP, HTTP		
Compatible Integration	ONVIF, API		
<b>Interface</b>			
Audio I/O	Input: impedance 35 kΩ; amplitude 2 V [p-p]		
	Output: impedance 600 Ω; amplitude 2 V [p-p]		
Alarm I/O	1/ 1		
Network	10M/100M Base-TX Ethernet		
<b>General</b>			
Power	12 V DC, or PoE (IEEE802.3 af)		
	Power consumption: Max 5.5W		
Dimensions (Ø x H)	Ø108.5 x 81 mm (Ø4.28" x 3.2")		
Weight	0.45 kg (0.99 lb)		
Working Environment	-35°C ~ +60°C (-31°F ~ 140°F), Humidity ≤ 90% RH(non-condensing)		
Ingress Protection	IP66		
Vandal Resistant	IK10		

## Dimensions



## Installation



Ceiling mount

## Accessories

Installation mode	Accessories	Description
Ceiling mount	Mounting pedestal is included in the Product package	\

### Zhejiang Uniview Technologies Co., Ltd.

South Tower, Building 10, Wanlun Science Park, 88 Jiangling Road, Hangzhou, P.R.China 310051

Email: [overseasbusiness@uniview.com](mailto:overseasbusiness@uniview.com); [globalsupport@uniview.com](mailto:globalsupport@uniview.com)

<http://www.uniview.com>

©2016 Zhejiang Uniview Technologies Co., Ltd. All rights reserved.

\*Product specifications and availability are subject to change without notice.