

2MP Network IR Fixed Dome Camera

IPC3612SR3 Series



Key Features

Optics

- Day/night functionality
- Optical glass window with higher light transmittance
- IR anti-reflection window to increase the infrared transmittance
- Up to 30 m (98 ft) IR distance
- 3D noise reduction

Compression

- H.264/MJPEG
- Triple streams
- 9:16 corridor mode

Network

- ONVIF Conformance

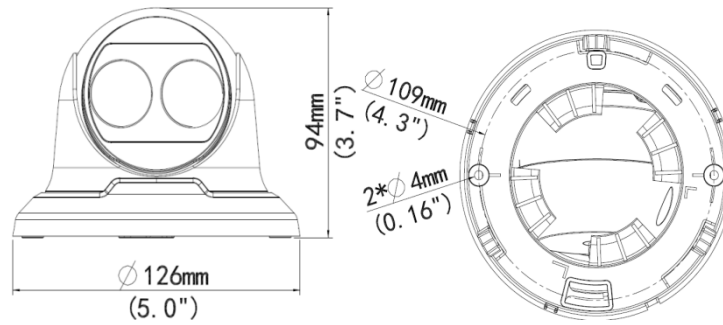
Structure

- Support PoE power supply (optional)
- Wide temperature range: -35°C to 60°C (-31°F to 140°F)
- Wide voltage range of $\pm 25\%$
- 4 KV surge protection designed for network interface
- IP66

Specifications

	IPC3612SR3-PF28	IPC3612SR3-PF36	IPC3612SR3-PF60
Camera			
Sensor	1/3", 2 megapixel, progressive scan, CMOS		
Lens	2.8mm@F1.8 Angle of view(H): 99.1°	3.6mm@F1.8 Angle of view(H): 76.7°	6mm@F1.8 Angle of view(H): 46.9°
Min. Illumination	Colour: 0.06 Lux (F1.8, AGC ON) 0 Lux with IR		
Shutter	Auto/Manual, 1/6~1/8000 s		
Minimum Illumination	Colour: 0.06 Lux (F1.8, AGC ON) 0 Lux with IR		
Day/Night	IR-cut filter with auto switch (ICR)		
IR	30m (98 ft) IR range		
AWB(Auto white balance)	Auto/manual		
Gain Control	Auto/manual		
WDR	Supported		
Noise Reduction	2D/3D		
Video			
Max. Resolution	1920×1080		
Video Compression	H.264/MJPEG		
Frame Rate	1080P (1920×1080): Max. 30 fps; 720P (1280×720): Max. 30 fps; D1 (720×576): Max. 25 fps		
Video Streaming	Triple		
OSD	Up to 8 OSDs		
9:16 Corridor Mode	Supported		
Motion Detection	Up to 2 areas		
Privacy Mask	Up to 4 areas		
Network			
Protocols	IPv4,IGMP,ICMP,ARP,TCP,UDP,DHCP,RTP,RTSP,Qos,DNS,DDNS,NTP,FTP,UPnP,HTTP		
Compatible Integration	ONVIF, API		
Interface			
Network	10M/100M Base-TX Ethernet		
General			
Power	12 V DC, or PoE (IEEE802.3 af)		
	Power consumption: 3.5 W (5.5W with IR on)		
Dimensions (Ø x H)	Ø126 x 94 mm (Ø5.0" x 3.7")		
Weight	0.33 kg (0.73 lb)		
Working Environment	-35°C ~ +60°C (-31°F ~ 140°F), Humidity ≤ 90% RH(non-condensing)		
Ingress Protection	IP66		

Dimensions



Accessories

Installation mode	Accessories	Description
Ceiling mount	Mounting pedestal is included in the product package	For indoor ceiling installation

Zhejiang Uniview Technologies Co., Ltd.

South Tower, Building 10, Wanlun Science Park, 88 Jiangling Road, Hangzhou, P.R.China 310051

Email: overseasbusiness@uniview.com; globalsupport@uniview.com

<http://www.uniview.com>

©2015 Zhejiang Uniview Technologies Co., Ltd. All rights reserved.

*Product specifications and availability are subject to change without notice.