

Network Video Recorder

NVR204E Series



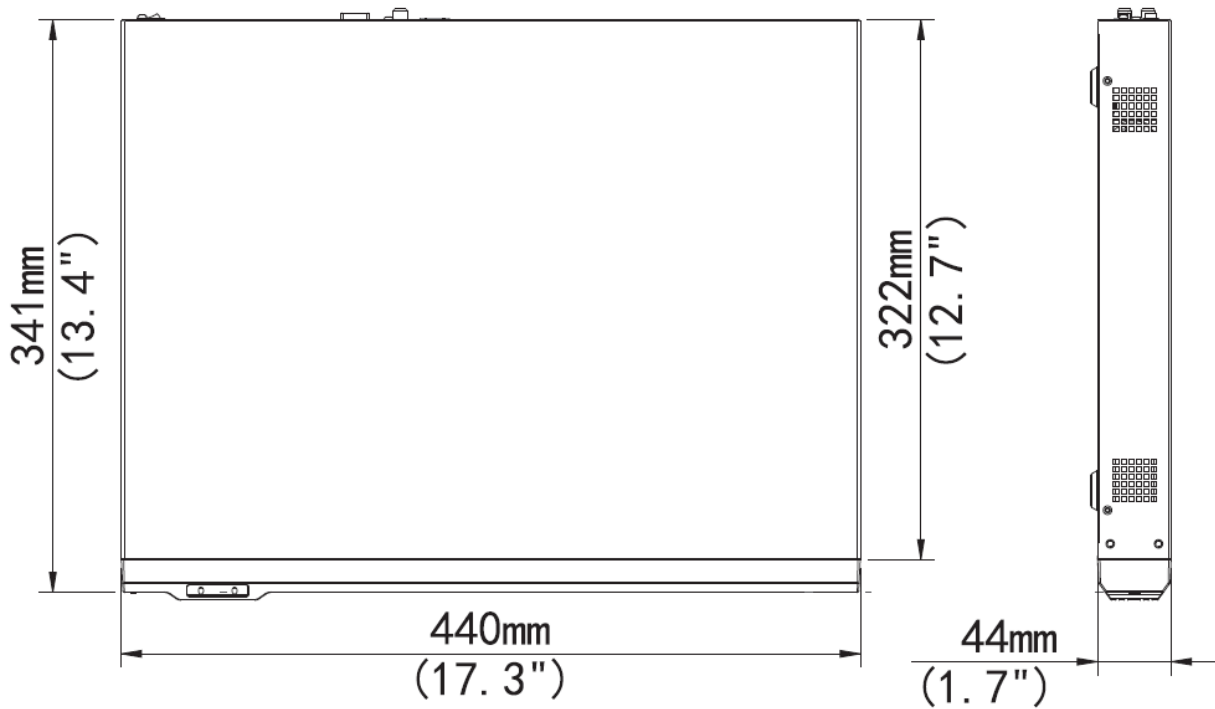
Key Features

- Support H.264 video formats
- 16/32-channel input
- Third-party IP cameras supported with ONVIF conformance: Profile S, Profile G, Profile C, Profile Q, Profile A, Profile T
- Support 1-ch HDMI, 1-ch VGA ,HDMI and VGA output up to 1080P
- HDMI and VGA simultaneous output
- Up to 4 Megapixels resolution recording
- 4 SATA HDDs, up to 6 TB for each HDD
- ANR technology to enhance the storage reliability when the network is disconnected
- Support cloud upgrade

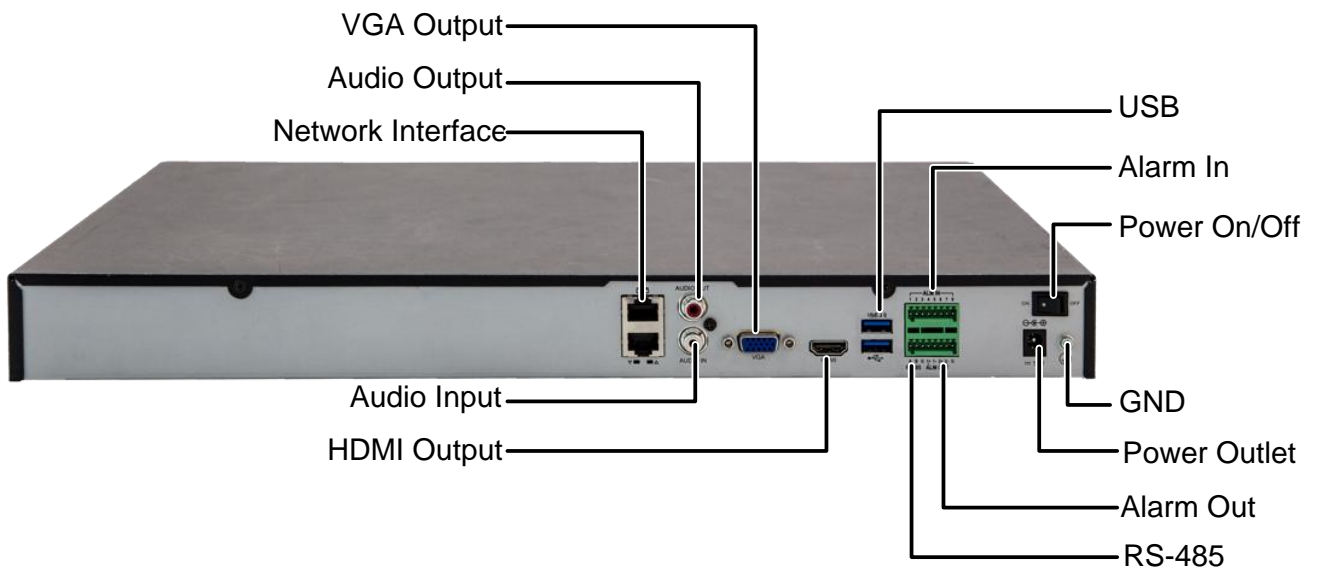
Specifications

Model	NVR204-16E	NVR204-32E
Video/Audio Input		
IP Video Input	16-ch	32-ch
Two-way Audio Input	1-ch, RCA	
Network		
Incoming Bandwidth	160Mbps	200Mbps
Outgoing Bandwidth	96Mbps	
Remote Users	128	
Protocols	P2P, UPnP, NTP, DHCP, PPPoE	
Video/Audio Output		
HDMI/VGA Output	HDMI/VGA: 1920x1080p /60Hz, 1920x1080p /50Hz, 1600x1200 /60Hz, 1280x1024 /60Hz, 1280x720 /60Hz, 1024x768 /60Hz	
Recording Resolution	4MP/3MP/1080p/960p/720p/D1/2CIF/CIF	
Audio Output	1-ch, RCA	
Synchronous Playback	16-ch	
Corridor Mode Screen	3/4/5/7/9/10/12/16	3/4/5/7/9/10/12/16/32
Decoding		
Decoding format	H.264	
Live view/Playback	4MP/3MP/1080p/960p/720p/D1/2CIF/CIF	
Capability	4 x 4MP@20, 6 x 1080p@25, 16 x 720p@25, 32 x D1	
Hard Disk		
SATA	4 SATA interfaces	
Capacity	up to 6TB for each disk	
Smart		
VCA Detection	Face detection, Intrusion detection, Cross line detection, Audio detection, Defocus detection, Scene change detection, Auto tracking	
External Interface		
Network Interface	2 RJ45 10M/100M/1000M self-adaptive Ethernet Interfaces	
Serial Interface	1 x RS485	
USB Interface	Front panel: 1 x USB2.0 Rear panel: 1 x USB2.0, 1 x USB3.0	
Alarm In	8-ch	
Alarm Out	2-ch	
General		
Power Supply	12V DC Power Consumption: ≤ 8W(without HDD)	
Working Environment	-10°C ~ + 55°C (+14°F ~ +131°F), Humidity ≤ 90% RH(non-condensing)	
Dimensions(W×D×H)	440 mm× 341mm× 44mm (17.3" × 13.4" × 1.7")	
Weight (without HDD)	≤ 3.09 Kg (6.81 lb)	

Dimensions



Rear Panel



Zhejiang Uniview Technologies Co., Ltd.

Building No.10, Wanlun Science Park, Jiangling Road 88, Binjiang District, Hangzhou, Zhejiang, China

Email: overseasbusiness@uniview.com; globalsupport@uniview.com

<http://www.uniview.com>

©2011-2017 Zhejiang Uniview Technologies Co.,Ltd. All rights reserved.

*Product specifications and availability are subject to change without notice.