

1080P 33X 2MP Auto Tracking PTZ Dome

IPC6242SR-X33G-IA



Key Features

Optics

- Accurate and fast focusing
- 33x optical zoom
- Optical glass window with higher light transmittance
- Smart IR, up to 150 m (492 ft) IR distance

Compression

- H.264 High Profile
- Triple streams
- Custom OSD

Intelligent

- Auto tracking
- Snapshot when a moving object breaks the rules

Network

- ONVIF Conformance

Structure

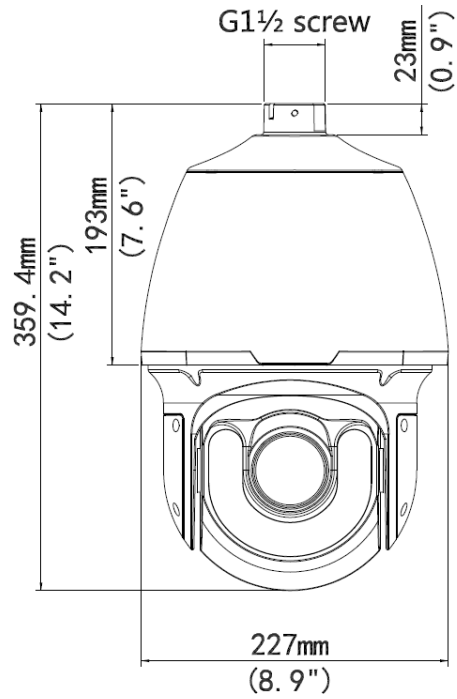
- Intelligent temperature control technology
- Innovative heat dissipation design, 30% higher efficiency
- More effective heat dissipation system
- 6 KV surge protection designed for network interface

Specifications

Camera	IPC6242SR-X33G-IA
Sensor	1/2.8", 2 megapixel, progressive scan CMOS
Focus/Zoom	4.5 ~ 148.5 mm (33x optical zoom)
Angle of View (H)	62° (wide) ~ 3.44° (tele)
Iris	Auto/Manual, F1.6 ~ F4.4
Shutter	Auto/Manual, 1/6s ~ 1/8000s
Minimum Illumination	Color: 0.02 Lux (F1.6, AGC ON) 0 Lux with IR on
S/N	> 52 dB
Day/Night	IR-cut filter with auto switch (ICR)
Video	
Max. Resolution	1920 x 1080
Video Compression	H.264, MJPEG
Frame Rate	1080P (1920×1080): Max. 30 fps
Video Streaming	Triple
OSD	Up to 8 OSDs
Privacy Mask	Up to 8 areas
Digital Zoom	Supported
Auto tracking	
Scene	4, scene switching plan configurable
Detection	Line cross, enter/leave area, intrusion
Smart Function	Auto tracking, snapshot when a moving object breaks the rules
Audio	
Audio Compression	G.711
Two-way Audio	Supported
Storage	
Edge Storage	Micro SD, up to 128 GB
Network	
Protocol	L2TP, IPv4, IGMP, ICMP, ARP, TCP, UDP, DHCP, PPPoE, RTP, RTSP, DNS, DDNS, NTP, FTP, UPnP, HTTP, HTTPS, SMTP, SNMP, SIP, QoS
Compatibility	ONVIF, API
Structure	
Pan Range	360°

Pan Speed	0.1°/s ~ 240°/s
	Preset speed: 300°/s
Tilt Range	-15° ~ 90°(auto reverse)
Tilt Speed	0.1°/s ~ 160°/s
	Preset speed: 240°/s
Number of Presets	256
Patrol	Preset patrol, route patrol, recorded patrol
Home Position	Supported
Drag-to-Zoom	Supported
Interface	
Audio I/O	Audio interface
	Input: impedance 35 kΩ; amplitude 2 V [p-p]
	Output: impedance 600 kΩ; amplitude 2 V [p-p]
Alarm I/O	2 / 1
Serial Port	1 RS485
Network	100M/1000M Base-FX adaptive SFP single mode (FC)
	10M/100M/1000M Base-TX adaptive Ethernet
	1+1 share mode
Video Output	1 BNC, impedance 75 Ω; amplitude 1 V [p-p]
General	
Power	24 V AC±25% (Default), 24 V DC
	Power consumption: 17 ~54 W
Dimensions (Ø x H)	Φ227 mm × 359.4 mm (Φ8.9" x 14.2")
Weight	5.4 kg (11.9 lb)
Working Environment	-40°C to +70°C (-40°F ~ 158°F), Humidity ≤ 95% RH
Ingress Protection	IP66

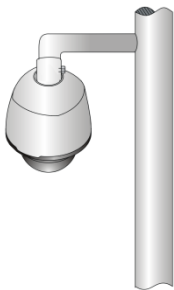
Dimensions



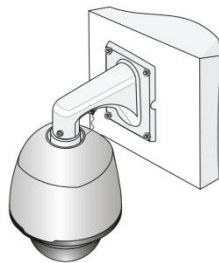
Installation



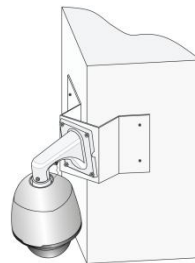
Pendant mount



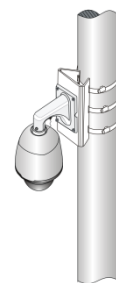
Standing pole mount



Wall mount



Corner mount



Pole mount

Accessories

Installation mode	Accessories	Description
Pendant mount	TR-CE45-IN bracket	/
	Pendant components: TR-UF45-A-IN ceiling plate TR-SE45-IN pendant rod (200mm) TR-SE45-A-IN pendant rod (500mm)	Ceiling plate is optional with different pendant rod for various applications
Standing pole mount	Customized bracket	The interface is designed with internal G1½ screws. The screw depth must be more than 23 mm.
Wall mount	TR-WE45-IN bracket	/
Corner mount	TR-WE45-IN bracket + TR-UC08-A-IN bracket	/
Pole mount	TR-WE45-IN bracket + TR-UP08-A-IN bracket	/

Zhejiang Uniview Technologies Co., Ltd.

Building No.10, Wanlun Science Park, Jiangling Road 88, Binjiang District, Hangzhou, Zhejiang, China (310051)

Email: overseasbusiness@uniview.com; globalsupport@uniview.com

<http://www.uniview.com>

©2016 Zhejiang Uniview Technologies Co., Ltd. All rights reserved.

*Product specifications and availability are subject to change without notice.