

2MP 22x Network PTZ Dome Camera

IPC6242SWH-X22U



Key Features

Optics

- Starlight illumination
- Accurate and fast focusing
- White light LED design for color image at night
- Smart white light supplement technology

Compression

- H.264 High Profile
- Triple streams
- Frame rate up to 60 fps with 1080P

Network

- ONVIF Conformance

Structure

- Innovative snow-removing functionality
- More effective heat dissipation system
- Intelligent temperature control technology

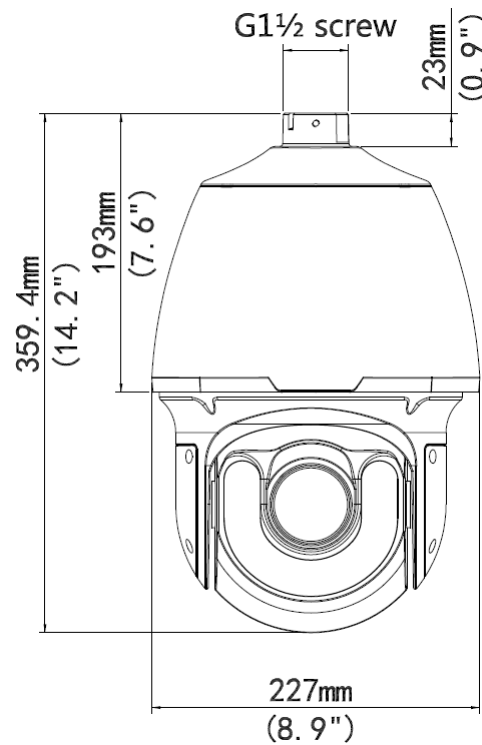
- 6 KV surge protection designed for network interface

Specifications

IPC6242SWH-X22U	
Camera	
Sensor	1/1.9", 2 megapixel, progressive scan, CMOS
Lens	6.5 ~ 143 mm (22x optical zoom)
Angle of View (H)	70° (wide) ~ 3.76° (tele)
Iris	Auto/Manual; F1.5 ~ F3.4
Shutter	Auto/Manual; shutter time: 1/6 s ~ 1/8000 s
Minimum Illumination	Colour: 0.002 lux (F1.6, 50IRE) B/W: 0.0002 lux (F1.6, 50IRE)
S/N	>52dB
Day/Night	IR-cut filter with auto switch (ICR)
Video	
Max. Resolution	1920 × 1080
Video Compression	H.264,MJPEG
Frame Rate	1080P (1920×1080):Max.60 fps; 720P (1280×720):Max.60 fps; D1 (720×576):Max.25 fps
Video Streaming	Triple
OSD	Up to 8 OSDs
Privacy Mask	Up to 8 areas
Digital Zoom	Supported
Audio	
Audio Compression	G.711
Two-way audio	Supported
Storage	
Edge Storage	Micro SD, up to 64 GB
Network	
Protocols	L2TP,IPv4,IGMP,ICMP,ARP,TCP,UDP,DHCP,PPPoE,RTP,RTSP,NTP,FTP,HTTP,SNMP,SIP
Compatible Integration	ONVIF, IMOS,API
Pan & Tilt	
Pan Range	360° (endless)
Pan Speed	0.1°/s ~ 240°/s
	Preset speed: 300°/s
Tilt Range	-15° ~ +90° (auto reverse)
Tilt Speed	0.1° ~ 160°/s
	Preset speed: 240°/s
Number of Preset	255
Patrol	Up to 16 patrols, up to 32 presets per patrol Note: The total number of patrols and patterns is 16.
Pattern	Up to 16 patterns, with the total recording time not less 15 minutes per pattern

Interface	
Audio I/O	audio cable
	Input: impedance 35 k Ω ; amplitude 2 V [p-p]
	Output: impedance 600 Ω ; amplitude 2 V [p-p]
Alarm I/O	2 / 1
Serial Port	1 RS485
Network	1 RJ45 10M/100M Base-TX Ethernet
Video Output	1 BNC, impedance 75 Ω ; amplitude 1 V [p-p]
General	
Power	24 V AC (Default), 24 V DC
	Power consumption: 12 ~ 46W (white light:27W,heater:Max.12W)
Dimensions (\varnothing x H)	\varnothing 227 x 359.4 mm (\varnothing 8.9" x 14.2")
Weight	5.5kg (12.1 lb)
Working Environment	-40°C ~ +70°C (-40°F ~ 158°F), Humidity \leq 90% RH(non-condensing)
Ingress Protection	IP66

Dimensions



Accessories

Installation mode	Accessories	Description
Pendant mount	TR-CE45-IN bracket	/
	Pendant components: TR-UF45-A-IN indoor ceiling plate TR-UF45-B-IN outdoor ceiling plate TR-SE45-IN pendant rod (200mm) TR-SE45-A-IN pendant rod (500mm)	Ceiling plate is optional with different pendant rod for various applications
Standing pole mount	Customized bracket	The interface is designed with internal G1½ screws. The screw depth must be more than 23 mm.
Wall mount	TR-WE45-IN bracket	/
Corner mount	TR-WE45-IN bracket + TR-UC08-A-IN bracket	/
Pole mount	TR-WE45-IN bracket + TR-UP08-A-IN bracket	/

Zhejiang Uniview Technologies Co., Ltd.

Building No.10, Wanlun Science Park, Jiangling Road 88, Binjiang District, Hangzhou, Zhejiang, China (310051)

Email: overseasbusiness@uniview.com; globalsupport@uniview.com

<http://www.uniview.com>

©2015 Zhejiang Uniview Technologies Co., Ltd. All rights reserved.

*Product specifications and availability are subject to change without notice.