

# 2MP 33X 2MP Starlight IR Dome Camera

IPC6252SR-X33U



## Key Features

### Optics

- 33X Optical Zoom
- Starlight illumination
- Accurate and fast focusing
- Smart IR, up to 150 m (492 ft) IR distance
- IR anti-reflection window to increase the infrared transmittance

### Compression

- H.265, H.264, MJPEG
- Triple streams
- Customized OSD

### Network

- ONVIF Conformance

### Structure

- 15° Elevation Angle
- Innovative snow-removing functionality

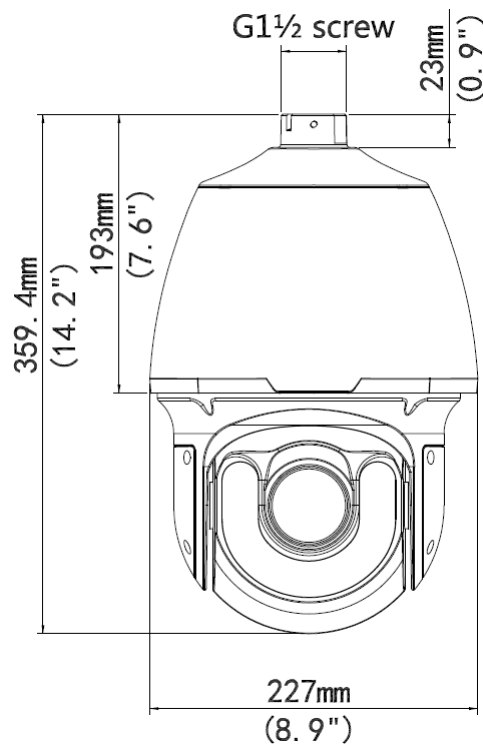
- More effective heat dissipation system
- Intelligent temperature control technology
- 6 KV surge protection designed for network interface

## Specifications

IPC6252SR-X33U	
<b>Camera</b>	
Sensor	1/2.8", 2 megapixel, progressive scan, CMOS
Lens	4.5 ~ 148.5 mm (33x optical zoom)
Angle of View (H)	62.93° (wide) ~ 3.67° (tele)
Iris	Auto/Manual; F1.6 ~ F5.3
Shutter	Auto/Manual; shutter time: 1/6 s ~ 1/8000 s
Minimum Illumination	Colour: 0.002 Lux (F1.6, AGC ON) 0 Lux with IR
S/N	>52 dB
Day/Night	IR-cut filter with auto switch (ICR)
<b>Video</b>	
Max. Resolution	1920 × 1080
Video Compression	H.265, H.264, MJPEG
Frame Rate	1080P (1920×1080):Max.60 fps
Video Streaming	Triple
OSD	Up to 8 OSDs
Privacy Mask	Up to 8 areas
Digital Zoom	Supported
HLC	Supported
<b>Audio</b>	
Audio Compression	G.711
Two-way audio	Supported
<b>Storage</b>	
Edge Storage	Micro SD, up to 128 GB
<b>Network</b>	
Protocols	L2TP, IPv4, IGMP, ICMP, ARP, TCP, UDP, DHCP, PPPoE, RTP, RTSP, DNS, DDNS, NTP, FTP, UPnP, HTTP, HTTPS, SMTP, SIP
Compatible Integration	ONVIF, API
<b>Pan &amp; Tilt</b>	
Pan Range	360° (endless)
Pan Speed	0.1°/s ~ 240°/s
	Preset speed: 300°/s
Tilt Range	-15° ~ +90° (auto reverse)
Tilt Speed	0.1° ~ 160°/s
	Preset speed: 240°/s
Number of Preset	256
Patrol	Preset patrol, route patrol, recorded patrol

Home Position	Supported
<b>Interface</b>	
Audio I/O	Audio cable
	Input: impedance 35 k $\Omega$ ; amplitude 2 V [p-p]
	Output: impedance 600 $\Omega$ ; amplitude 2 V [p-p]
Alarm I/O	2 / 1
Serial Port	1 RS485
Network	10M/100M Base-TX Ethernet
Video Output	1 BNC, impedance 75 $\Omega$ ; amplitude 1 V [p-p]
<b>General</b>	
Power	24 V AC (Default), 24 V DC
	Power consumption: 8~52.5W
Dimensions ( $\varnothing$ x H)	$\varnothing$ 227 x 359.4 mm ( $\varnothing$ 8.9" x 14.2")
Weight	5.4kg(11.9lb)
Working Environment	-40°C ~ +70°C (-40°F ~ 158°F), Humidity $\leq$ 95% RH(non-condensing)
Ingress Protection	IP66

## Dimensions



## Accessories

Installation mode	Accessories	Description
Pendant mount	TR-CE45-IN bracket	/
	Pendant components: TR-UF45-A-IN ceiling plate TR-SE45-IN pendant rod (200mm) TR-SE45-A-IN pendant rod (500mm)	Ceiling plate is optional with different pendant rod for various applications
Standing pole mount	Customized bracket	The interface is designed with internal G1½ screws. The screw depth must be more than 23 mm
Wall mount	TR-WE45-IN bracket	/
Corner mount	TR-WE45-IN bracket + TR-UC08-A-IN bracket	/
Pole mount	TR-WE45-IN bracket + TR-UP08-A-IN bracket	/

### Zhejiang Uniview Technologies Co., Ltd.

Building No.10, Wanlun Science Park, Jiangling Road 88, Binjiang District, Hangzhou, Zhejiang, China (310051)

Email: [overseasbusiness@uniview.com](mailto:overseasbusiness@uniview.com); [globalsupport@uniview.com](mailto:globalsupport@uniview.com)

<http://www.uniview.com>

©2016 Zhejiang Uniview Technologies Co., Ltd. All rights reserved.

\*Product specifications and availability are subject to change without notice.