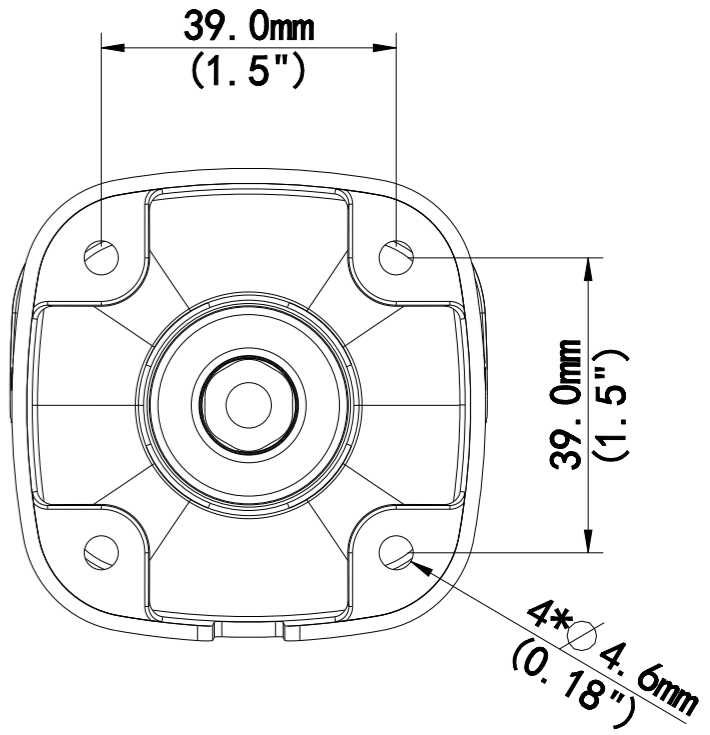
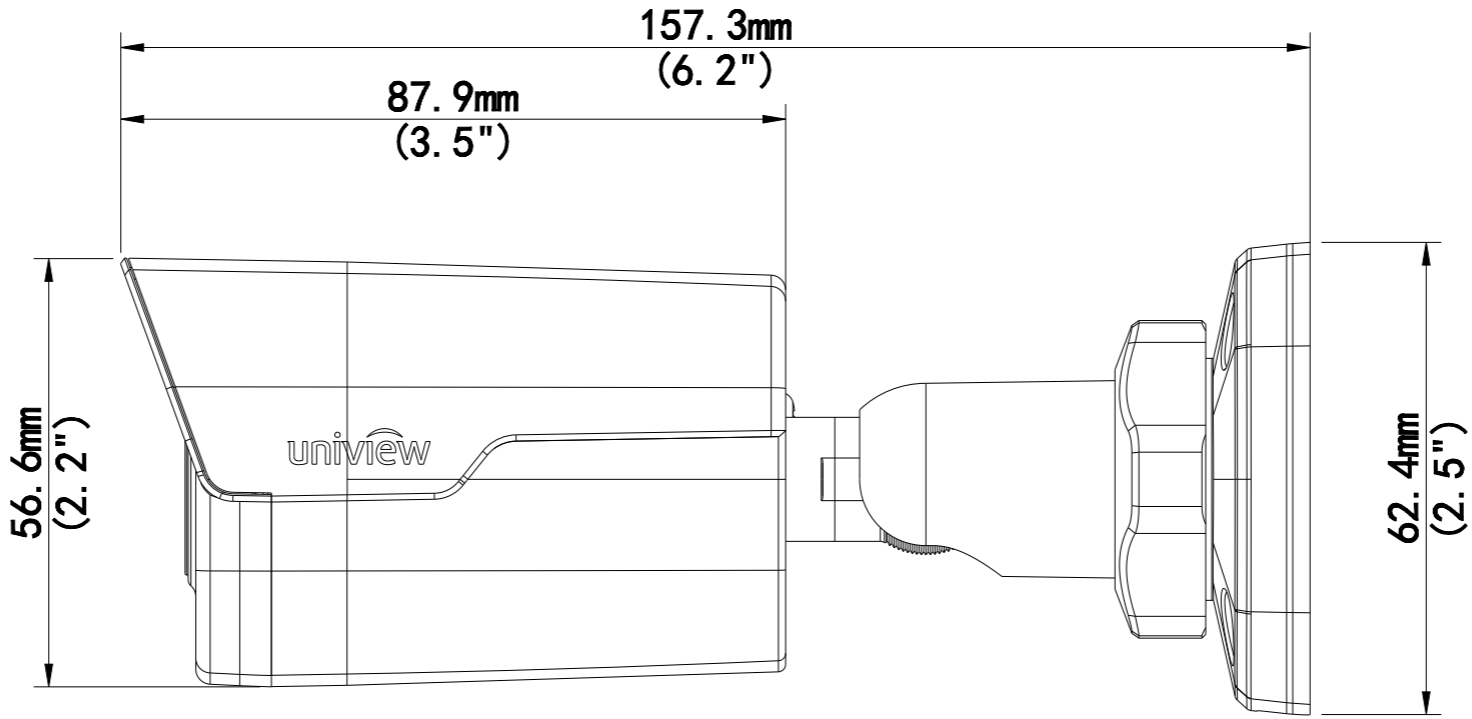
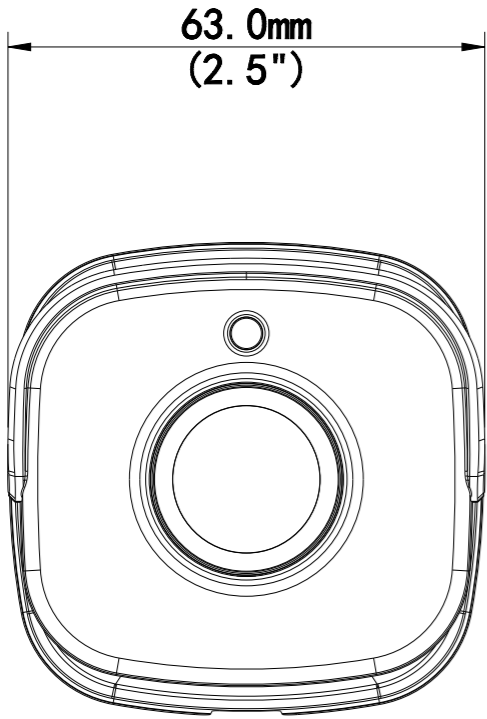


REV	ECO NO.	DESCRIPTION



RELEASE LEVEL: [] 工程
FILE NAME: CUP-BULLET-1

THESE DRAWINGS AND SPECIFICATION ARE THE PROPERTY OF ZHEJIANG UNIVIEW TECHNOLOGIES CO., LTD. AND SHALL NOT BE REPRODUCED COPIED OR USED IN ANY MANNER WITHOUT THE PRIOR WRITTEN CONSENT OF ZHEJIANG UNIVIEW TECHNOLOGIES CO., LTD.			TITLE: CUP-BULLET		
	DRAW: Chen Shuai DATE: 03-25-15	DATE: 03-25-15	UNIT'S: MM	DWG NO.: *	
	CHKD: Ding Jun	DATE: 03-25-15	FINISH: A000	PART NO.:	
	STAD: Xu Li	DATE: 03-25-15	MASS(Kg):	REV: 0	
	APPD: Yang Shouliang DATE: 03-25-15	DATE: 03-25-15	SCALE: 1:1	SHEET: 1 OF 1 MAT'L: Material	
PRODUCT: CUP-BULLET		SHEET: 1 OF 1 MAT'L: Material			