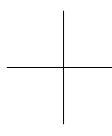
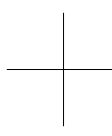
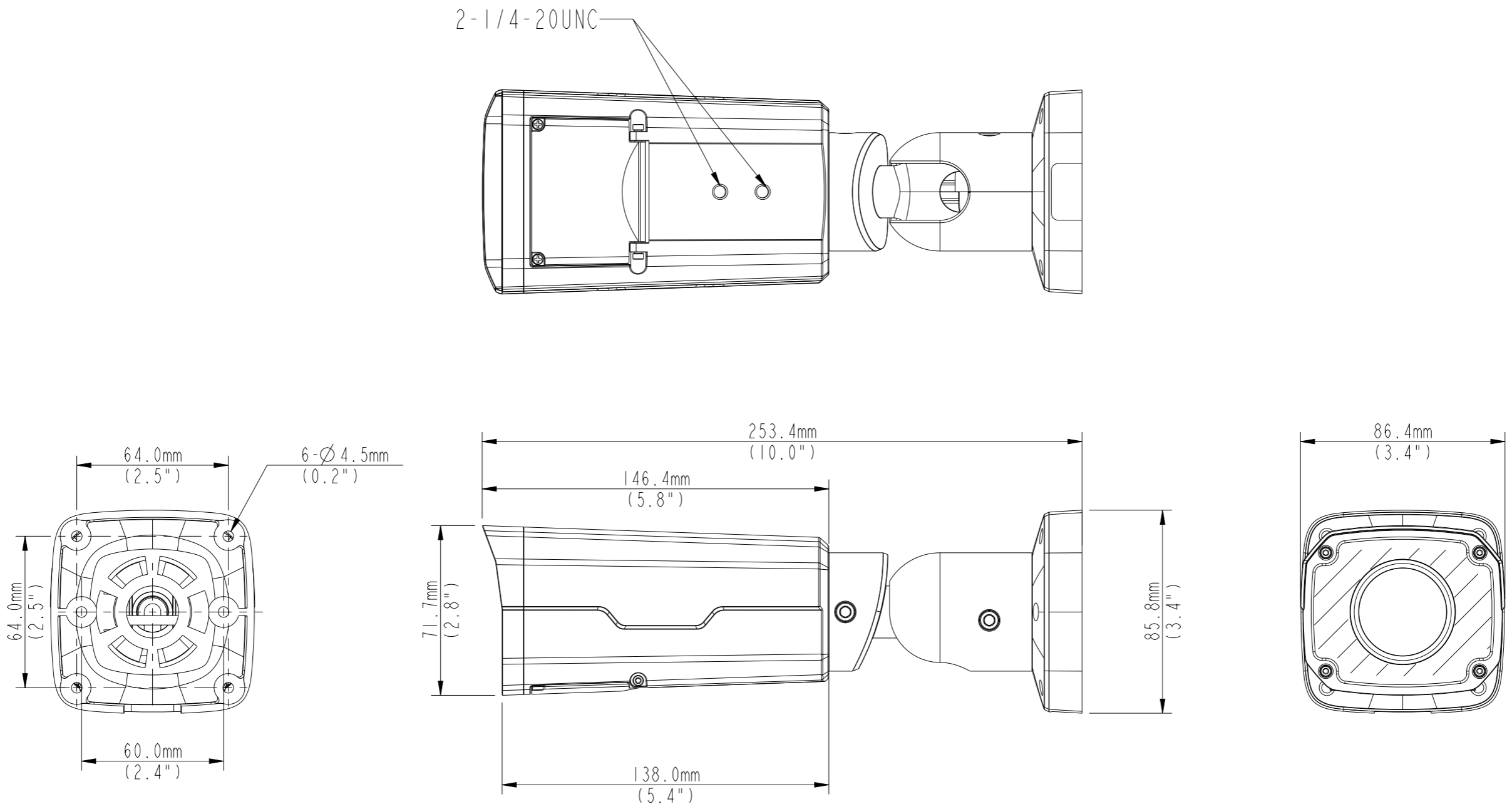
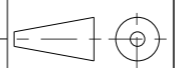


REV	ECO NO.	DESCRIPTION



RELEASE LEVEL: [] 工程
 FILE NAME: IPC-H1C230TES-UNIVIEW



 uniview	TITLE:				
	DRAW:	DATE:	UNIT'S: MM/INCH	DWG NO.:	
	CHKD:	DATE:	FINISH: A000	PART NO.:	REV
	STAD:	DATE:	MASS(Kg):		
	APPD:	DATE:	SCALE: 1:2	SHEET: 1 OF 1	MAT'L:
PRODUCT:					

THESE DRAWINGS AND SPECIFICATION ARE THE PROPERTY OF ZHEJIANG UNIVIEW TECHNOLOGIES CO., LTD. AND SHALL NOT BE REPRODUCED COPIED OR USED IN ANY MANNER WITHOUT THE PRIOR WRITTEN CONSENT OF ZHEJIANG UNIVIEW TECHNOLOGIES CO., LTD.