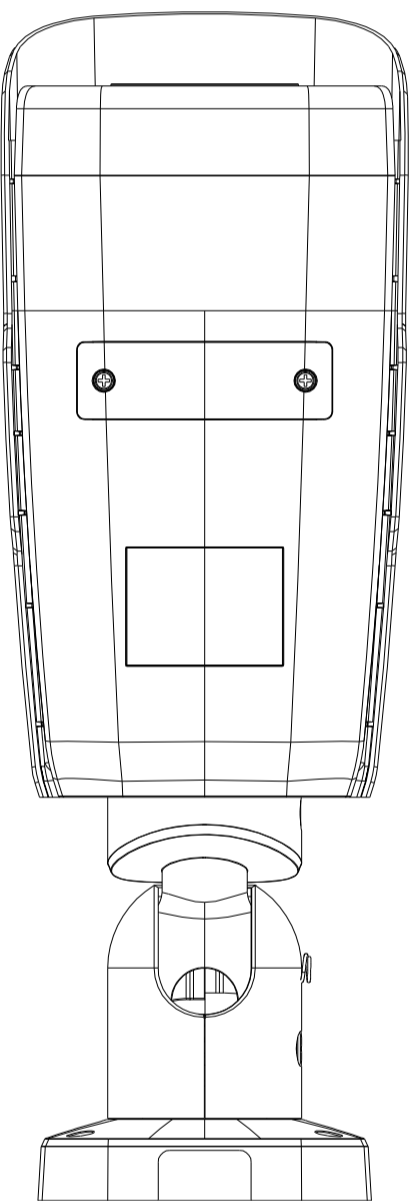
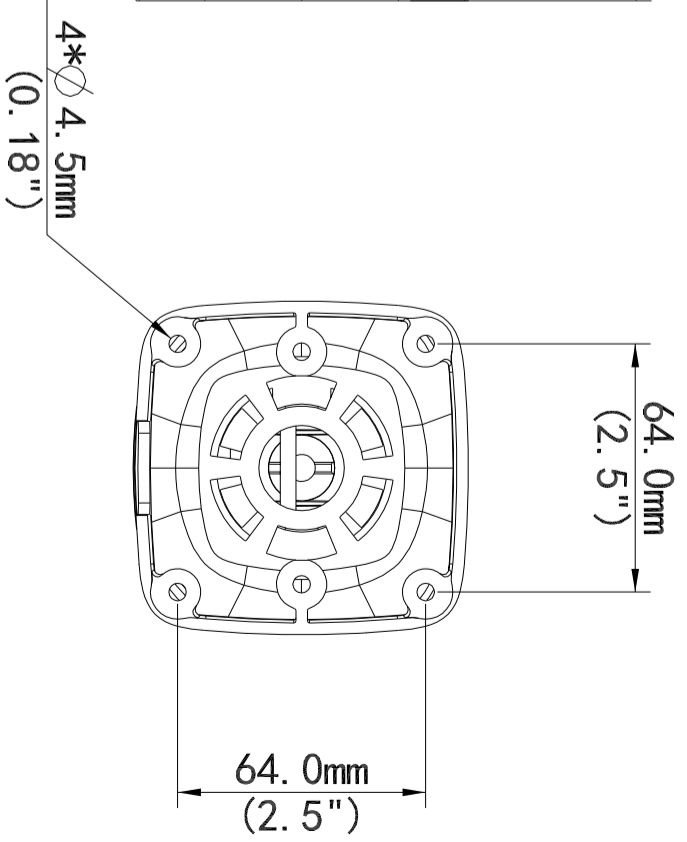
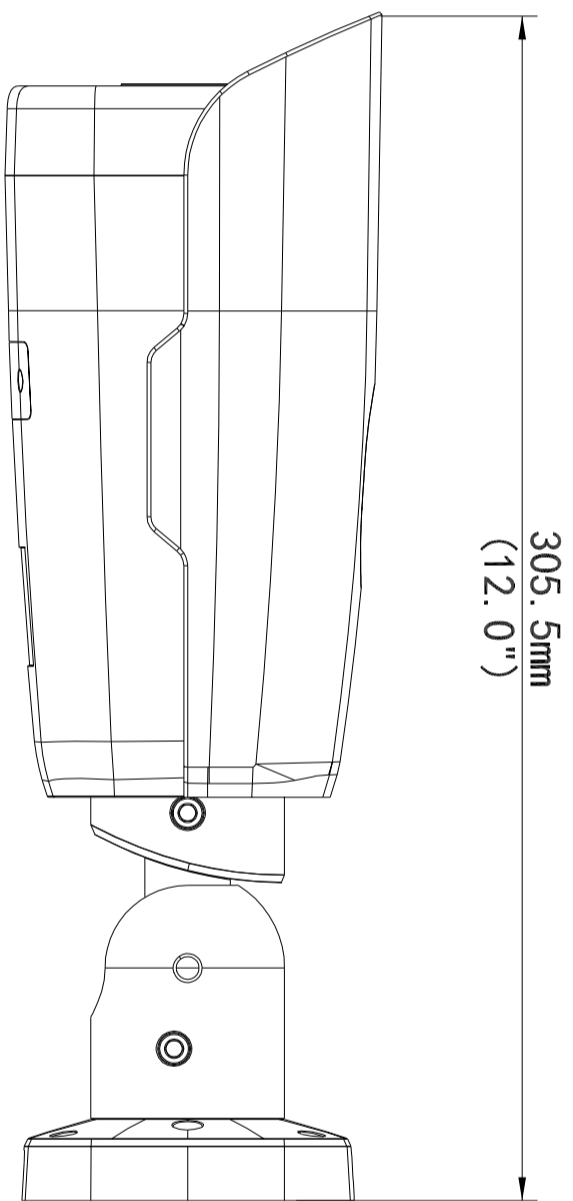
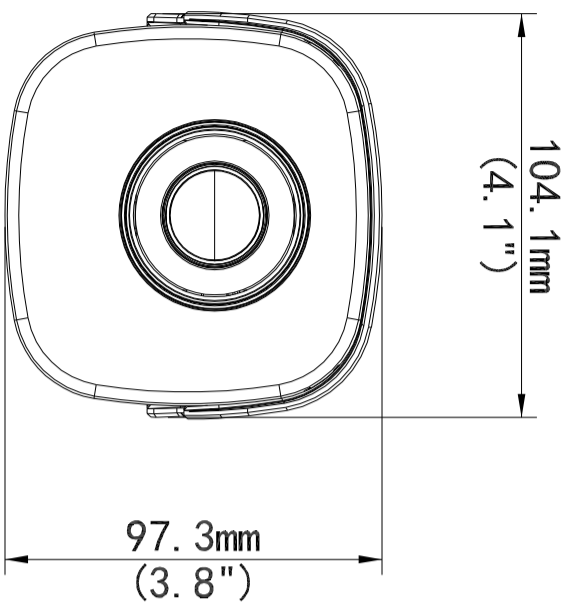


RELEASE LEVEL: 正在工作
 FILE NAME: QIPC_V6R1

A3 2 3 4 5 6 7 8



REV	ECO NO.	DESCRIPTION

		TITLE:	
		DRAM: Your Name DATE: 06-17-15	UNIT'S: MM
THESE DRAWINGS AND SPECIFICATION ARE THE PROPERTY OF ZHEJIANG UNIVIEW TECHNOLOGIES CO., LTD. AND SHALL NOT BE REPRODUCED, COPIED OR USED IN ANY MANNER WITHOUT THE PRIOR WRITTEN CONSENT OF ZHEJIANG UNIVIEW TECHNOLOGIES CO., LTD.		CHMO: Check Name DATE: 06-17-15 STAD: Std Name DATE: 06-17-15 APPD: Appd Name DATE: 06-17-15	FINISH: A000 MASS: 405886.095 SCALE: 1:2
PRODUCT: Product Name		SHEET: 1 of 1	DWG NO.: * PART NO.: MAT'L: Material