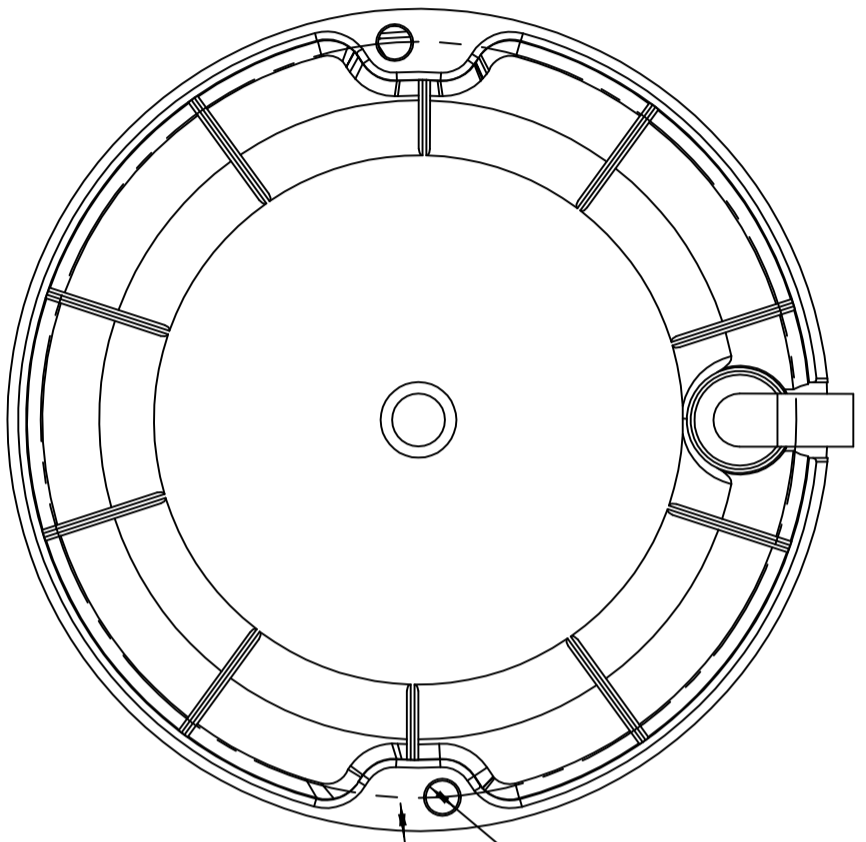
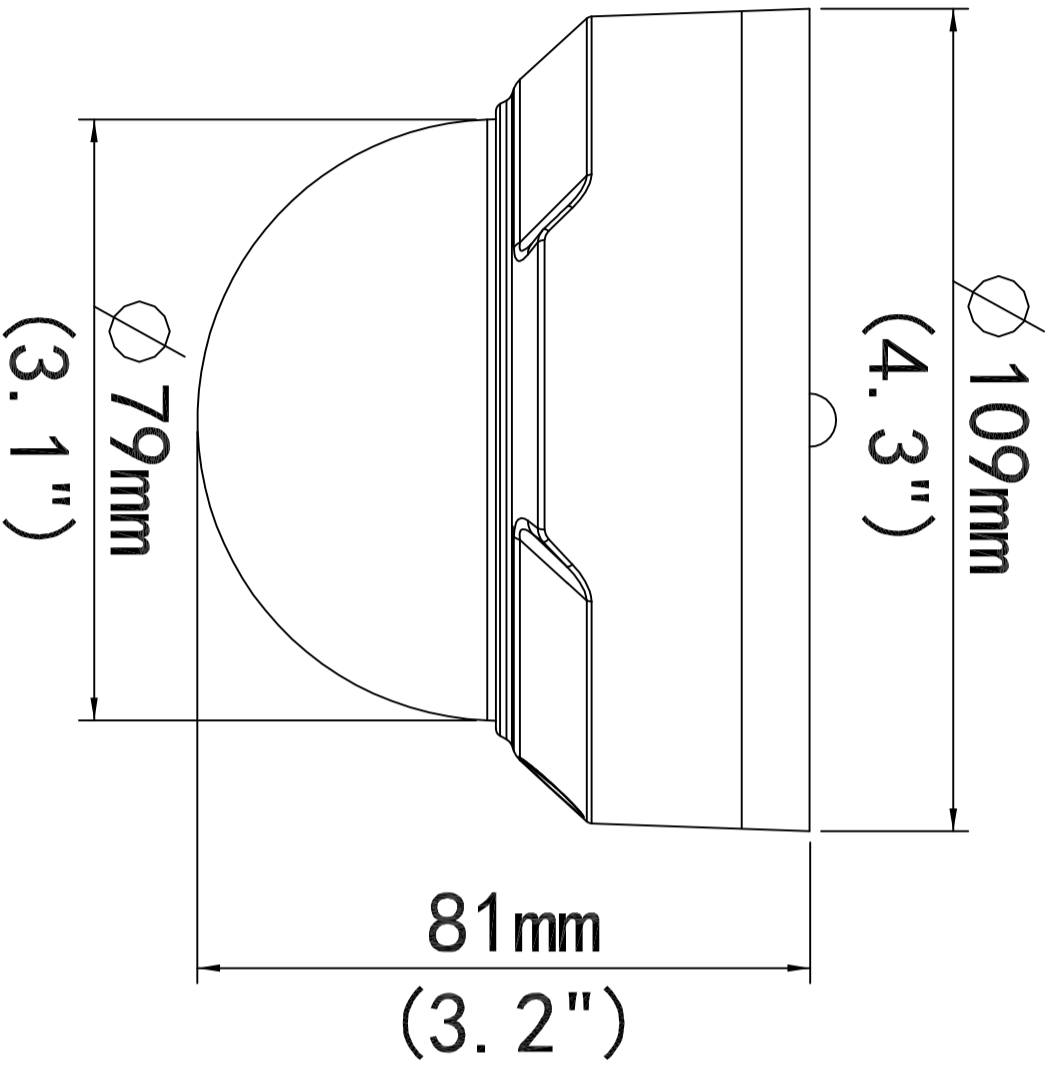
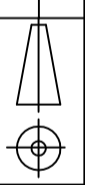


| REV | ECO NO. | DESCRIPTION |
|-----|---------|-------------|
| | | |
| | | |



$2 * \varnothing 4\text{mm}$
 (0.2")
 $\varnothing 100\text{mm}$
 (3.9")



| | | | | | |
|----------|--|----------------|-----------|--------|-----------|
| DRAWN: | | DATE: 01-16-14 | UNIT'S: | MM | DWG NO.: |
| CHKD: | | DATE: 01-16-14 | FINISH: | A000 | |
| STAD: | | DATE: 01-16-14 | MASS(Kg): | 0.107 | PART NO.: |
| APPD: | | DATE: 01-16-14 | SCALE: | 1:2 | REV |
| PRODUCT: | | SHEET: | OF | MAT'L: | A0 |

RELEASE LEVEL:
 FILE NAME:

See Notes